

Cisco GS7000 4-Way Segmentable Node 1 GHz with 42/54 MHz Split

The Cisco® GS7000 4-Way Segmentable Node is the latest generation 1 GHz optical node platform. This platform allows independent segmentation and redundancy for both the forward and reverse paths in a reliable, cost-effective package.

The forward path of the GS7000 4-Way Segmentable Node launch amplifier can be initially deployed in non-segmented mode with a single broadcast optical receiver distributing common RF services to either four output ports (all high level) or six output ports (two high level and four lower level). The forward path can also be fully segmented by using four independent optical receivers that each feed their own output ports, or left/right segmented by using two independent optical receivers that each feed half of the node's output ports. Forward path optical redundancy is also supported via the use of optional redundant optical receivers. The type of forward path segmentation and/or redundancy is determined by the type of Forward Configuration Module installed.

The GS7000 Node's reverse path is equally flexible. Reverse traffic can be segmented or combined and routed to a maximum of 4 FP, DFB, CWDM, or DWDM reverse optical transmitters, or to advanced Baseband Digital Reverse optical transmitters as part of the bdr system. Reverse path optical redundancy is supported via the use of optional redundant optical transmitters. The type of reverse path segmentation and/or redundancy is determined by the type of Reverse Configuration Module installed. A Reverse Input Port is also provided for high frequency (5 - 210 MHz) reverse signal injection.

All optical transmitters and optical receivers used in the GS7000 have new high-profile module covers that include both a self-contained fiber pigtail storage area and an integrated pull ring for easier module installation and removal. Additionally, the GS7000 optical receiver is a new low-current design that dissipates less power and incorporates a two-state interstage RF attenuator switch for performance optimization.

Figure 1. GS7000 4-Way Segmentable Node with 42/54 MHz Split

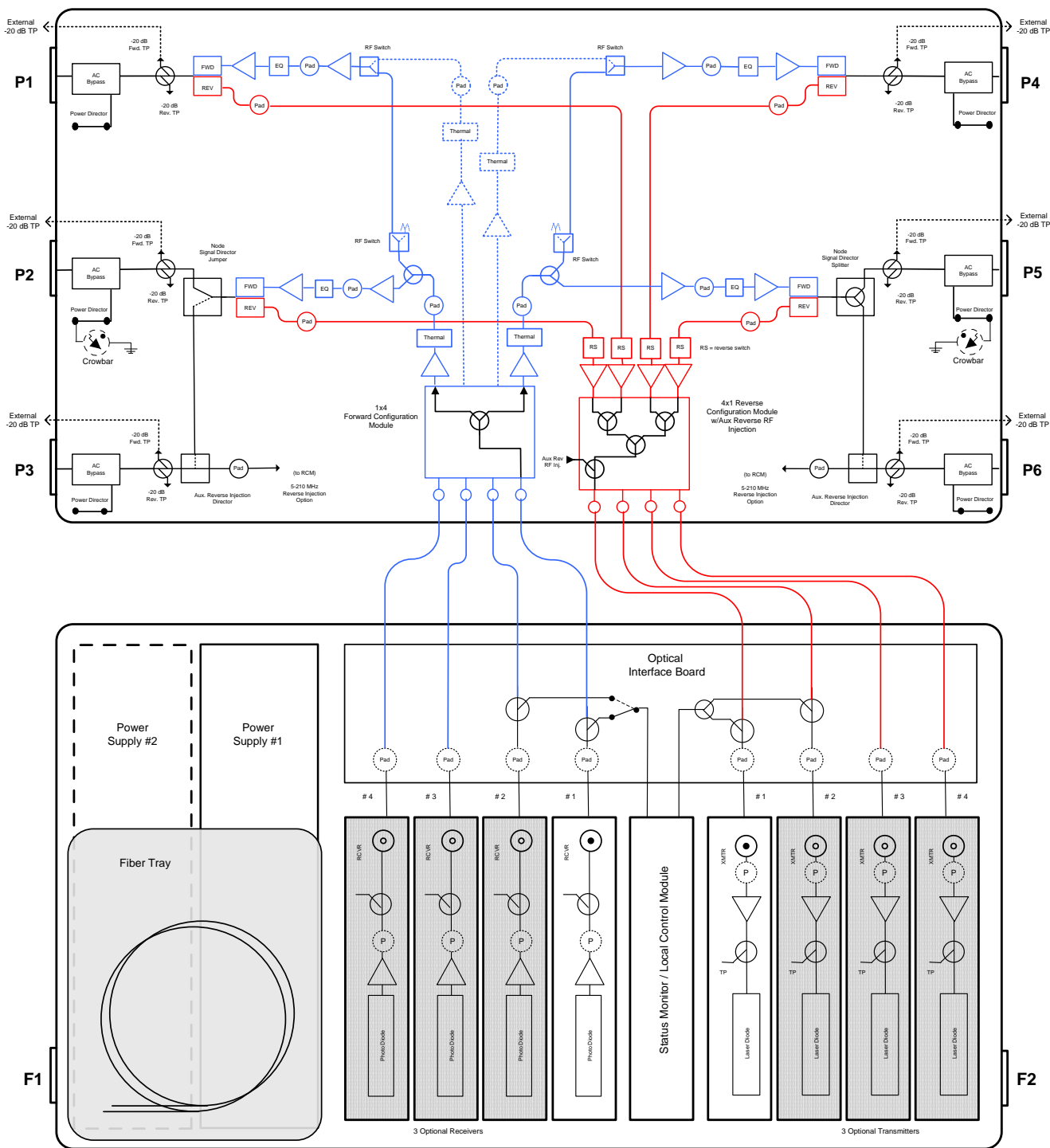


Features

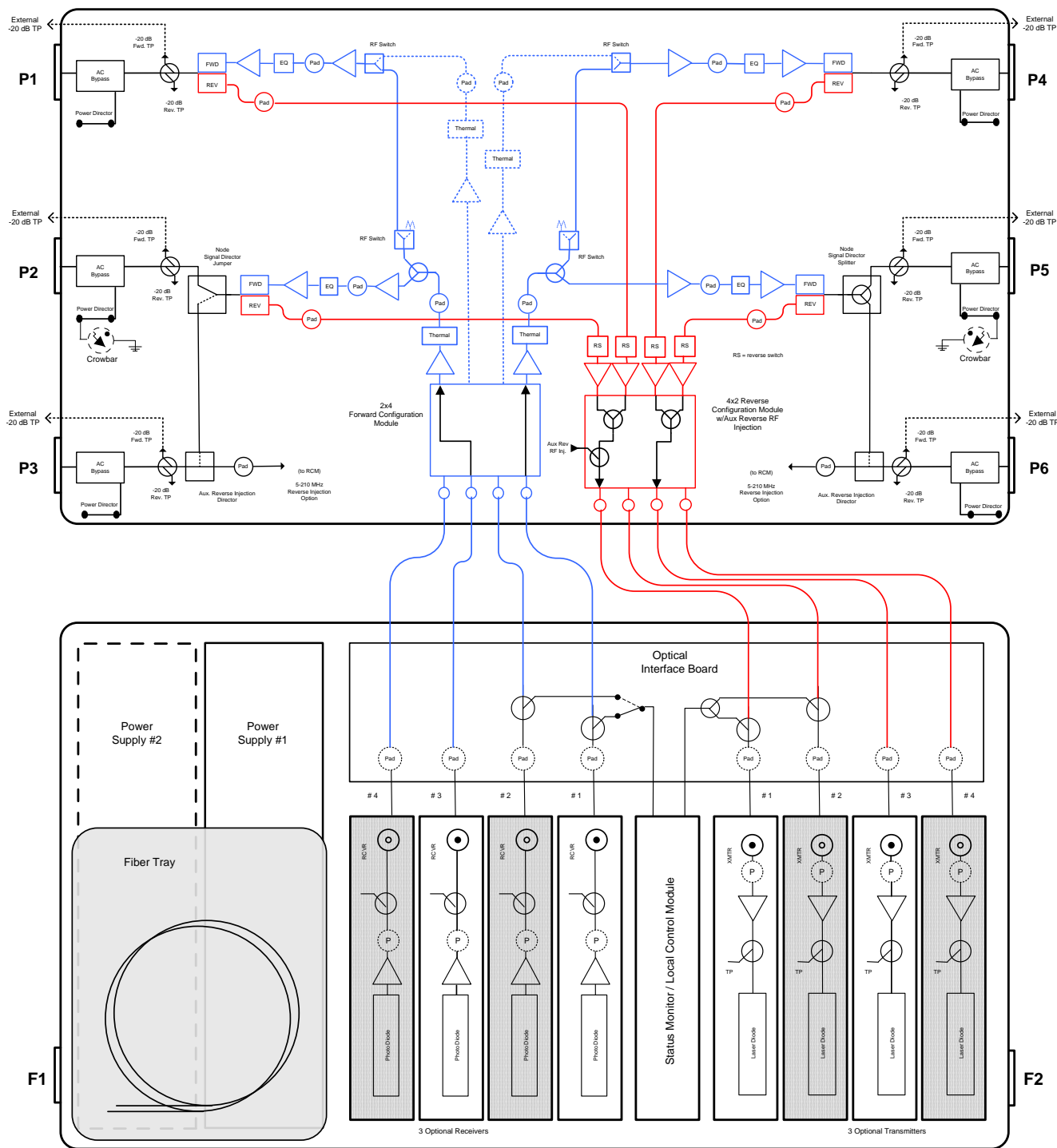
- Six port 1 GHz RF platform
- Uses GainMaker® type GaAs FET gain stages
- Uses standard GainMaker style accessories (i.e., attenuator pads, equalizers, diplexers and crowbar)
- Field accessible plug-in Forward Interstage Linear Equalizers, Forward / Reverse Configuration Modules, and Signal Directors
- 3-state reverse switch (on/off/-6 dB) allows each reverse input to be isolated for noise and ingress troubleshooting (status monitoring or local control module required)
- Auxiliary reverse injection (5 - 210 MHz) configurable on up to 2 ports
- Positions for up to 4 optical receivers and 4 optical transmitters in housing lid
- Optional low-cost sLocal Control Module may be installed in conjunction with a Redundant Forward

-
- Configuration Module to allow optical path redundancy when no status monitor is required
 - Optional Status Monitoring (ROSA[®] / TNCS or other compatible element management system required)
 - Fiber entry ports on both ends of housing lid
 - Fiber management tray and track provides easy access to fiber connections
 - Primary and redundant Power Supplies with passive load sharing
 - Spring loaded seizure assemblies allow coax connectors to be installed or removed without removing amplifier chassis or spring loaded mechanism from the rear of the housing base
 - Dual/Split AC powering

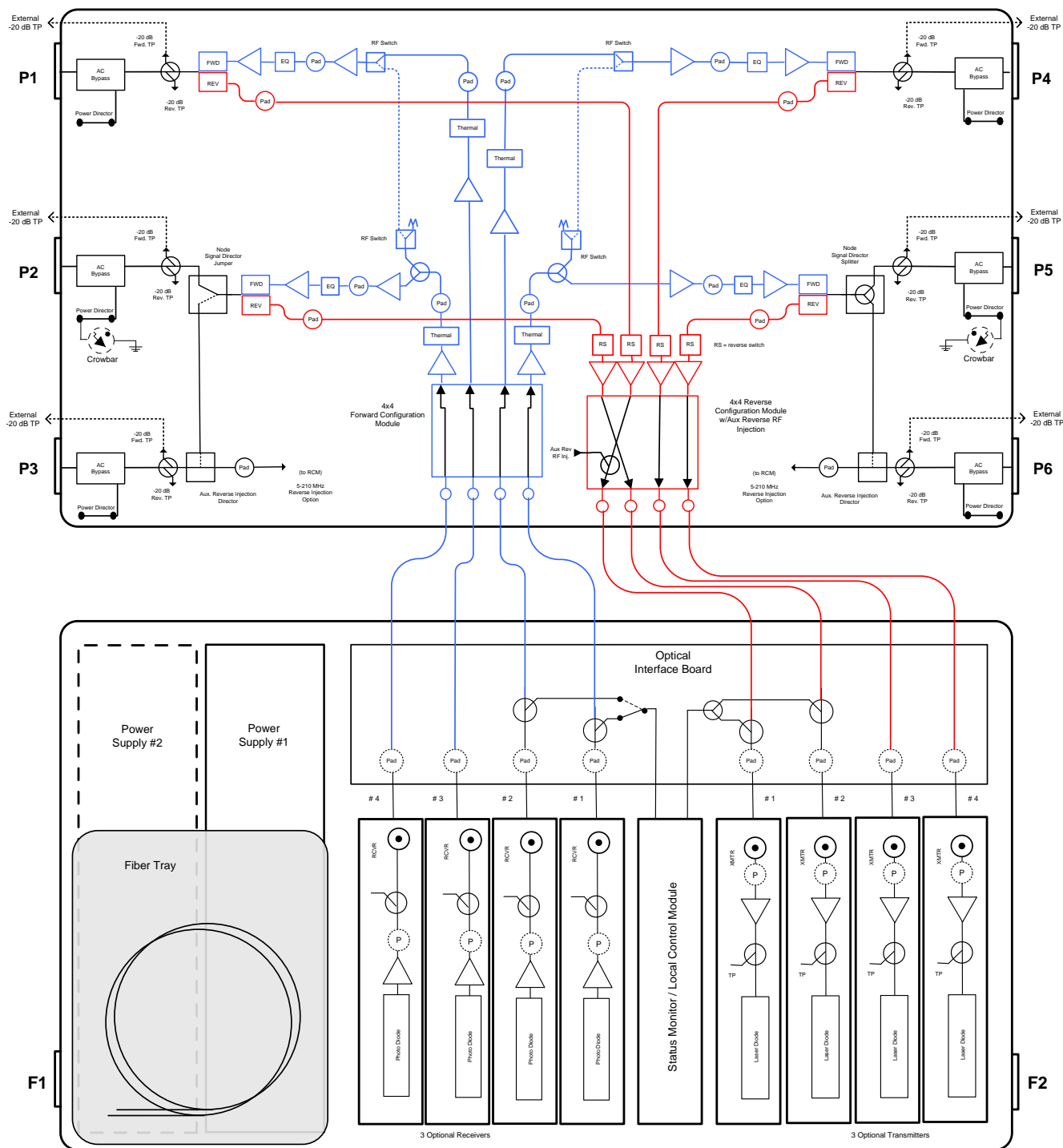
Block Diagram – Non-segmented Node



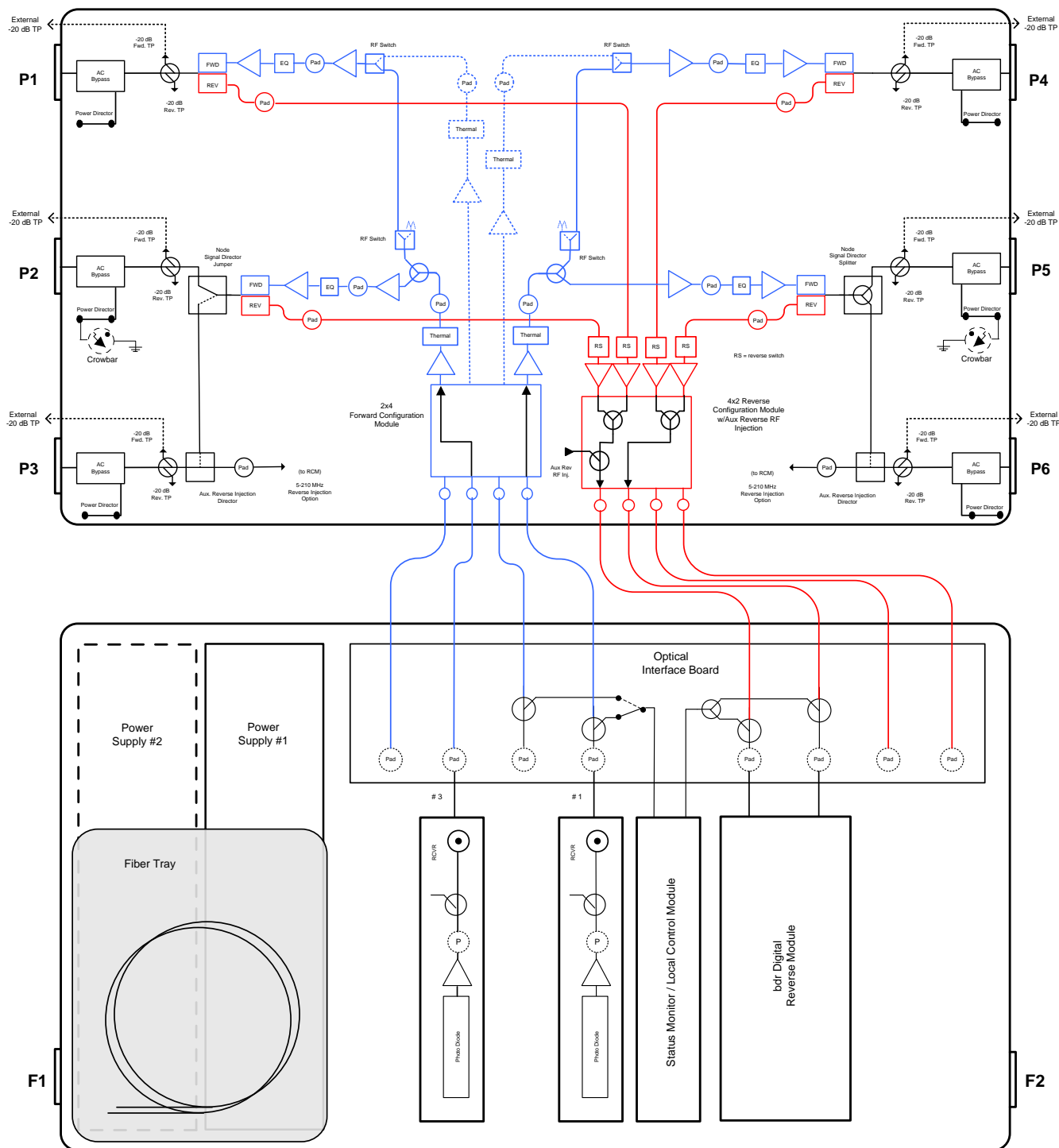
Block Diagram – Left / Right Segmented Node



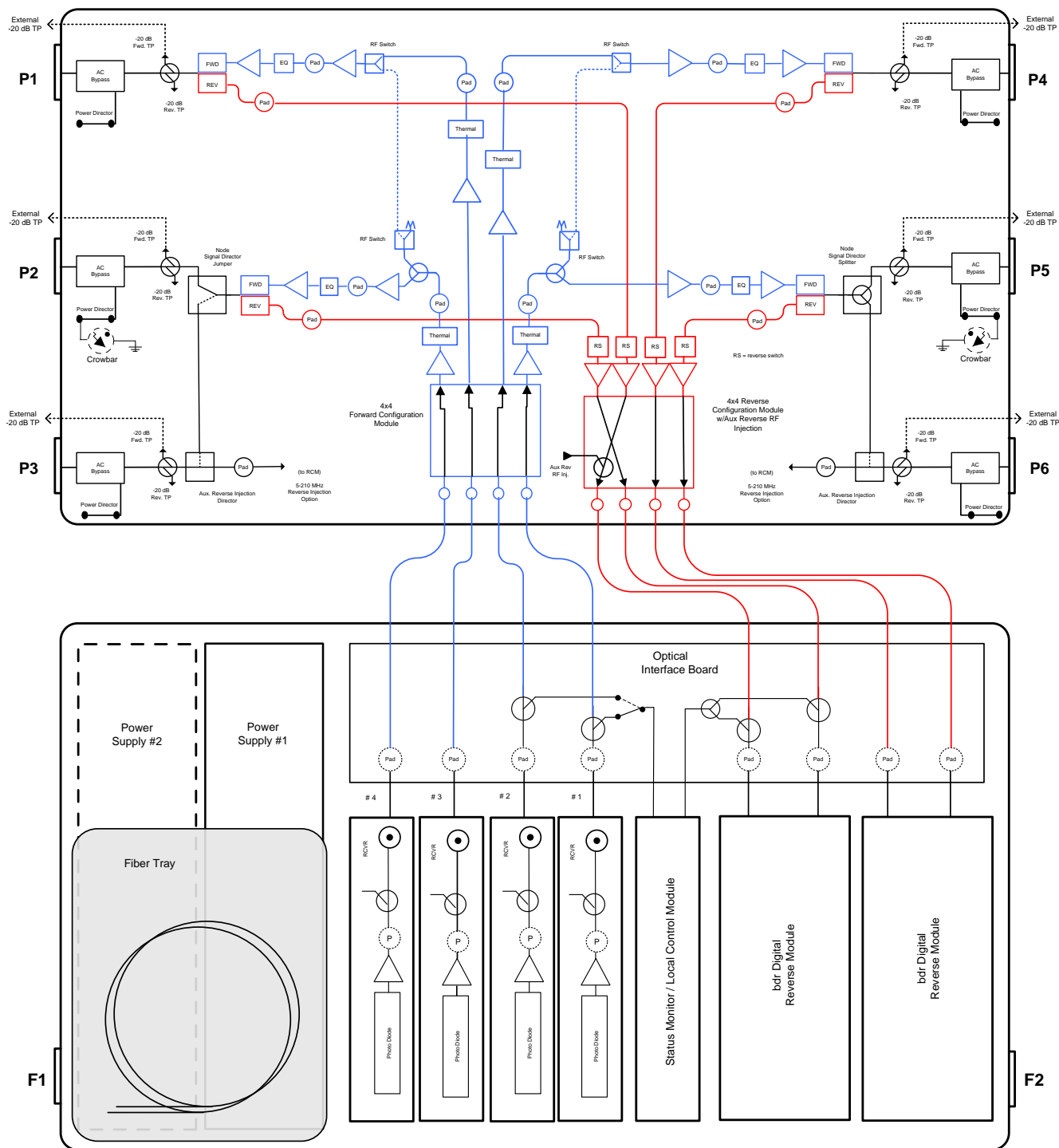
Block Diagram – Fully Segmented Node



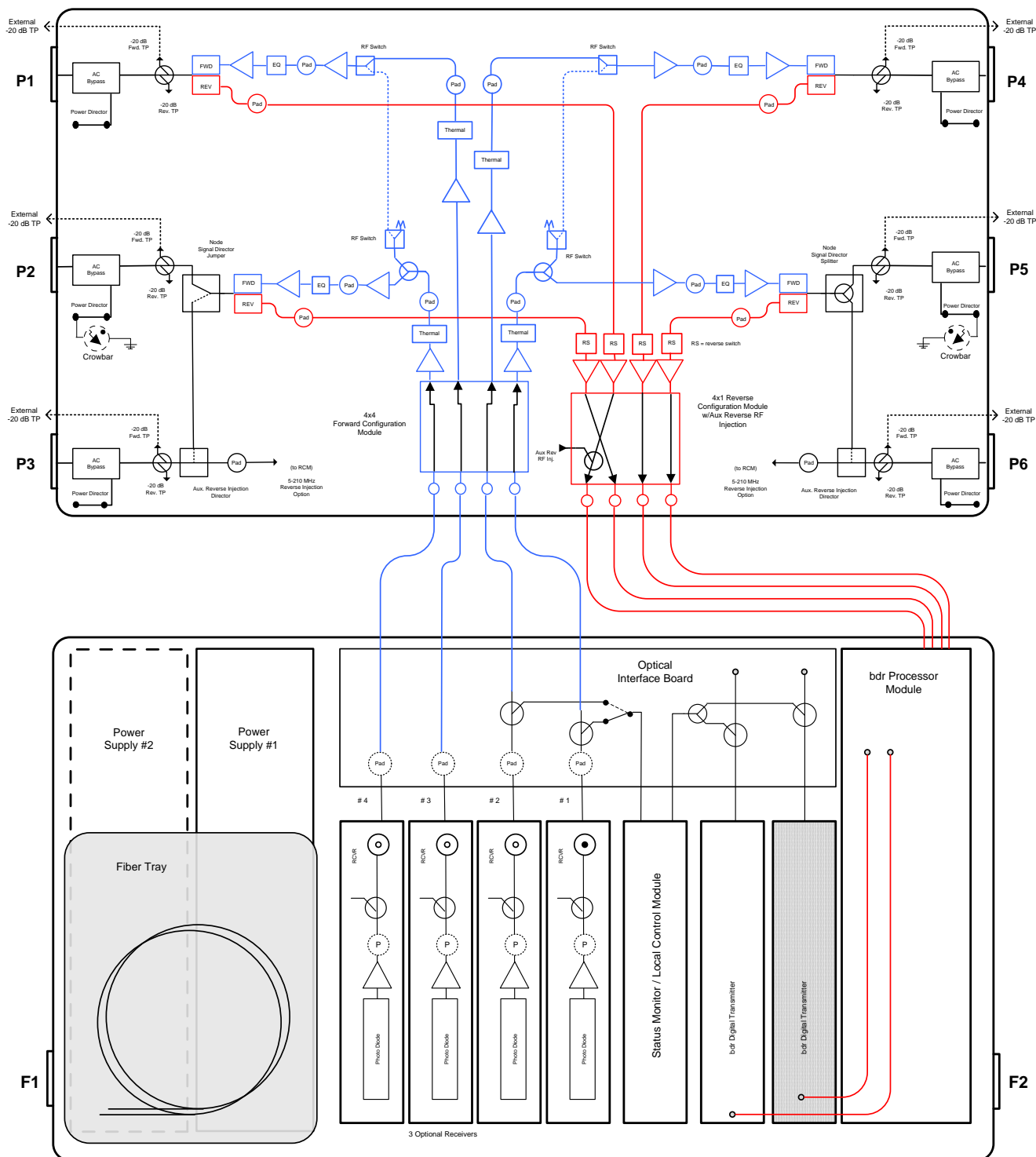
Block Diagram – Left / Right Segmented Node with integrated 2:1 bdr



Block Diagram – Fully Segmented Node with integrated 2:1 bdr

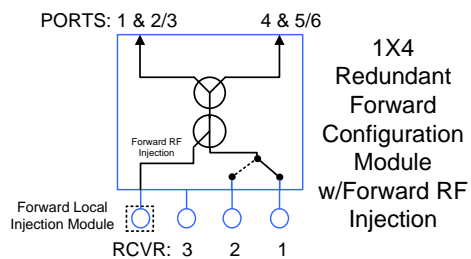
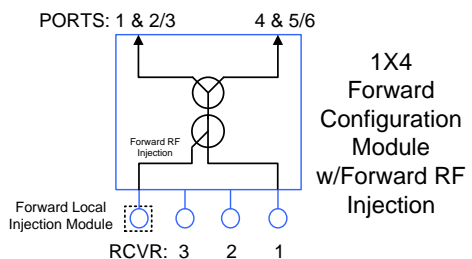
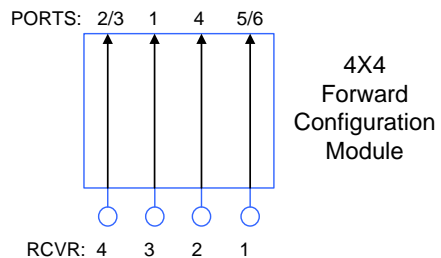
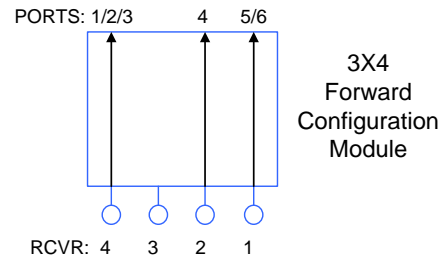
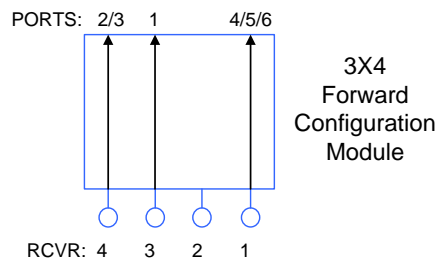
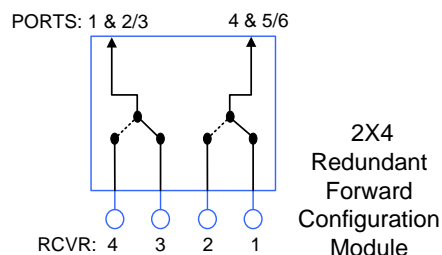
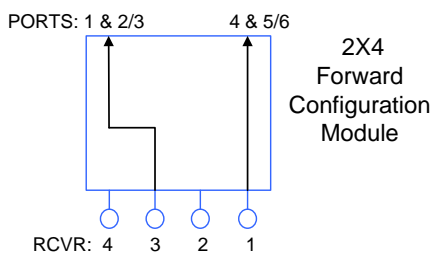
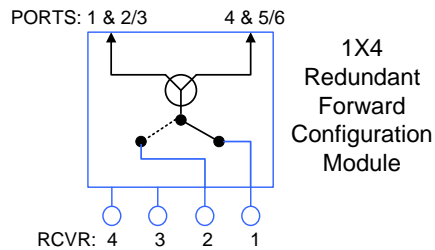
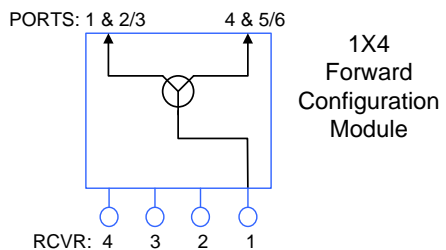


Block Diagram – Segmented Node with 4:1bdr



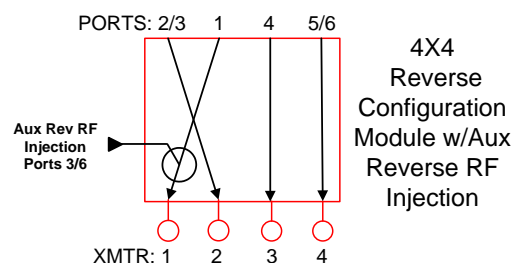
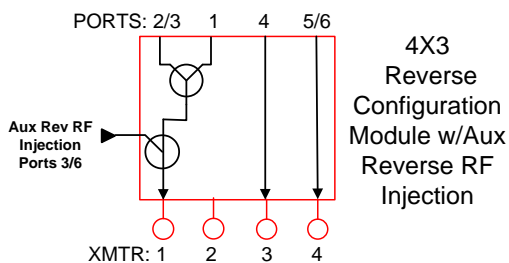
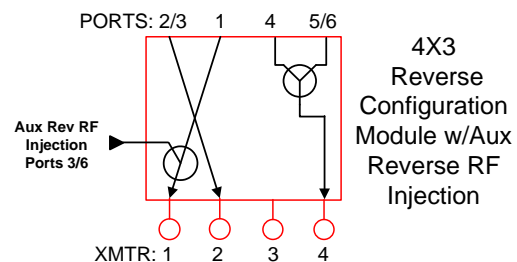
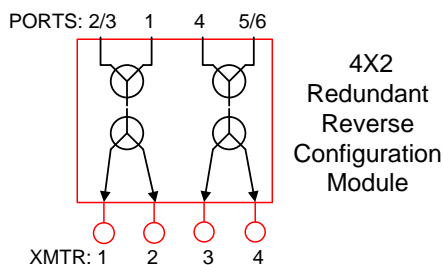
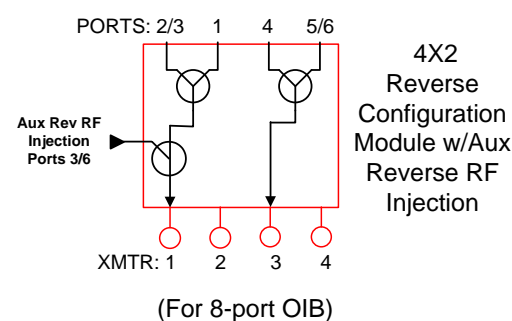
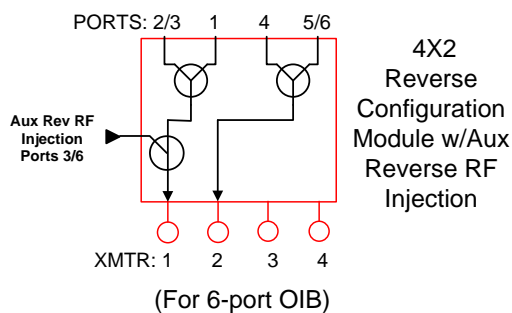
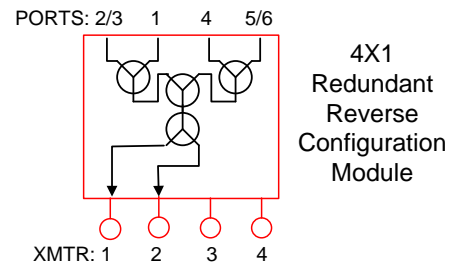
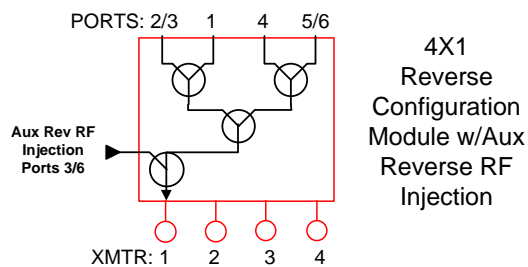
Block Diagrams – Configuration Modules

Forward Configuration Modules



Block Diagrams – Configuration Modules

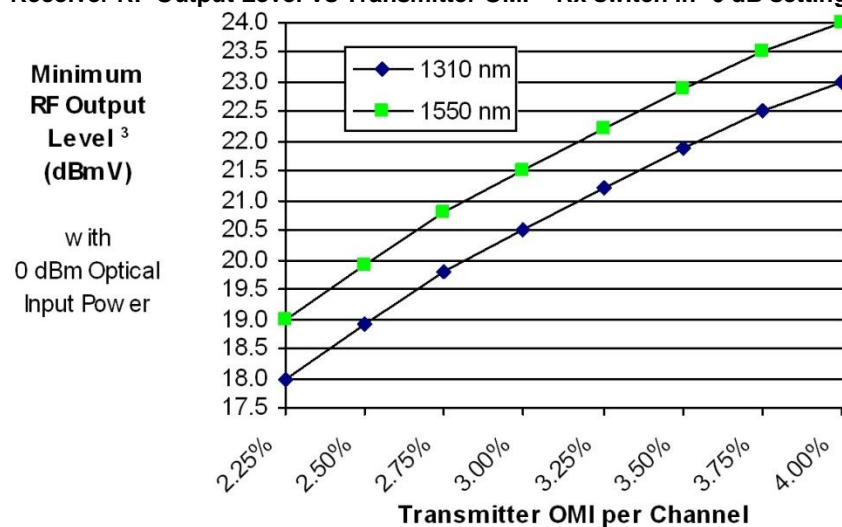
Reverse Configuration Modules



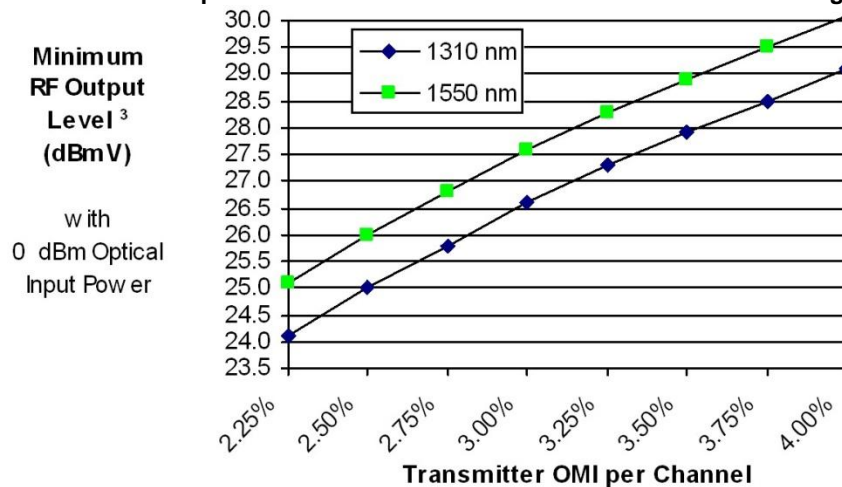
Optical Section Specifications

Optical Section - Forward Receiver Module	Units	GS7000 Low Current RX	Notes
Wavelength	nm	1310 and 1550	
Optical Input Range	mW dBm	0.5 to 1.6 -3 to +2	1
Pass Band	MHz	52-1002	
Frequency Response	dB	± 0.5	2
Tilt (± 1.0 dB)	dB	0	
Optical Input Test Point ($\pm 10\%$)	V DC	1V/mW	
Redundant Optical Rx Switching Threshold (± 1.0 dB)	dBm	-6	
Rx RF Output Level at 0 dBm Optical Rx Power	dBmV	Refer to charts (below)	3
Rx RF Output Test Point (± 1.0 dB)	dB	-20	

Receiver RF Output Level Vs Transmitter OMI – Rx switch in -6 dB setting



Receiver RF Output Level Vs Transmitter OMI – Rx switch in 0 dB setting



Notes for Optical Section Specifications:

- Receiver (Rx) has a 2-position RF attenuator switch (-6 dB and 0 dB). The -6 dB setting is used for 0 to +2 dBm optical Rx power, the 0 dB setting is used for -3 to 0 dBm Rx power.
- For forward receiver module only. Does not include frequency response contributions from forward optical transmitter.
- Minimum receiver RF output level for the stated transmitter percent OMI/ch. (Optical Modulation Index per channel), with receiver optical input power of 0 dBm, and specified Rx attenuator setting. To determine RF output levels at other optical input power, add (or subtract) 2 dB in RF level for each 1 dB increase (or decrease) in receiver optical input power.

For reverse optical transmitter and link performance, see the "Analog Reverse Optical Transmitters with Thermal Compensation" data sheet.

Unless otherwise noted, specifications reflect typical performance and are referenced to 68°F (20°C). Specifications are based upon measurements made in accordance with SCTE/ANSI standards (where applicable), using standard frequency assignments.

RF Section Specifications

General Station Performance	Units	Forward	Reverse	Notes
Pass Band	MHz	54-1002	5-42	
Input/Output Port Return Loss	dB	17	16	
Hum Modulation @ 12 A	dB	70 (54-870 MHz) 60 (871-1002 MHz)	60 (5-10 MHz) 70 (11-42 MHz)	
Hum Modulation @ 15 A	dB	65 (54-870 MHz) 60 (871-1002 MHz)	60 (5-10 MHz) 65 (11-42 MHz)	
Test Points (± 0.5 dB)	dB	-20	-20	

Forward Station Performance	Units	15 dB I/S EQ w/0.5 dB I/S Pad	Notes
Amplifier Type	-	GaAs FET	
Operational Gain (minimum)	dB	32	1
Frequency Response	dB	± 0.5	1
Internal Tilt (± 1 dB)	dB	14.5	1,2
Port to Port Isolation – with Full Segmentation	dB	60 (54-750 MHz) 55 (751-1002 MHz)	1
Port to Port Isolation – with Left/Right Segmentation	dB	65 (54-750 MHz) 55 (751-1002 MHz)	1
Noise Figure @... 54 MHz 1002 MHz	dB	14.0 13.5	1
Reference Output Levels @... 1002 MHz 870 MHz 750 MHz 650 MHz 550 MHz 55 MHz	dBmV	49.5 47.5 45.7 44.0 42.5 35.0	
Reference Output Tilt (55-1002 MHz)	dB	14.5	2,3
78 NTSC channels (CW) with digital			6
Composite Triple Beat	dB	78	4
Cross Modulation	dB	68	4,7
Composite Second Order (high side)	dB	70	4

Reverse Station Performance	Units	Reverse	Notes
Amplifier Type	-	GaAs FET	
Operational Gain (minimum)	dB	-2	5
Frequency Response	dB	± 0.5	5
Internal Tilt (+/- 1 dB)	dB	0	5
Path to Path Isolation	dB	55	5
Noise Figure	dB	7.5	5

Notes:

- Forward performance is for station from output of optical Rx to node RF output port, with 0 dB pad in optical interface board (OIB), any forward configuration module, 0.5 dB interstage (I/S) pad, 15 dB linear I/S EQ, factory select output pad, and signal director jumper. Includes OIB losses.
- Reference output tilt and internal tilt are both "Linear" tilt.
- The forward reference output tilt specified is achieved via field installation of appropriate linear I/S EQ, in conjunction with the internal tilt of the launch amplifier and the tilt associated with the optical link (transmitter/receiver combination).
- Stated distortion performance is for launch amplifier section operated at reference output levels and tilts. Full station performance can be determined by combining optic performance and launch amplifier performance.
- Reverse performance is for station from reverse input port to input of reverse optical transmitter module, with 0 dB reverse input pad.
- "Digital" refers to 550 - 1002 MHz loading with QAM carriers at -6 dB relative to analog video carrier levels.
- X-mod (@ 15.75 kHz) specified using 100% synchronous modulation and frequency-selective measurement device.

Unless otherwise noted, specifications reflect typical performance and are referenced to 68°F (20°C). Specifications are based upon measurements made in accordance with SCTE/ANSI standards (where applicable), using standard frequency assignments.

Specifications, continued

Station Delay Characteristics		42 / 54 Split	
Forward (Chrominance to Luminance Delay)		Reverse (Group Delay in 1.5 MHz BW)	
Frequency (MHz)	Delay (nS)	Frequency (MHz)	Delay (nS)
55.25 - 58.83	18	5.0 - 6.5	35
61.25 - 64.83	8	6.5 - 8.0	15
67.25 - 70.83	5	8.0 - 9.5	7
		37.5 - 39.0	11
		39.0 - 40.5	14
		40.5 - 42.0	20

Electrical	Units					Notes
Max. AC Through Current (continuous)	Amps	15				
Max. AC Through Current (surge)	Amps	25				
Component DC Power Consumption (typical)		@+24 VDC	@ +8 VDC	@ +5 VDC	@ -6 VDC	
Launch Amplifier (includes reverse amp)	Amps	2.8	0.4	0.5	-	
Status Monitoring Transponder	Amps	0.01	-	0.2	-	
GS7000 Low Current Optical Receiver	Amps	0.12	-	-	-	
Reverse Transmitter – High Gain FP	Amps	0.09	-	-	0.07	
Reverse Transmitter – High Gain DFB	Amps	0.09	-	-	0.09	
Power Supply DC Current Rating	Amps	6.20	0.90	1.30	0.80	

Station Powering Data												
GS7000 Node	I DC (Amps at 24 VDC)		AC Voltage									
			90	85	80	75	70	65	60	55	50	45
with: 1 forward Rx, 1x4 forward config module, 1 reverse Tx, 4x1 reverse config module	2.95	AC Current (A)	1.4	1.4	1.4	1.5	1.5	1.6	1.7	1.8	2.0	2.2
		Power (W)	96.4	96.2	95.9	95.6	95.4	95.4	95.3	95.3	95.5	95.8
with: 4 forward Rx's, 4x4 forward config module, 4 reverse Tx's, 4x4 reverse config module	3.70	AC Current (A)	1.7	1.7	1.7	1.8	1.9	2.0	2.1	2.3	2.5	2.8
		Power (W)	121.5	121.1	120.8	120.6	120.6	120.5	120.5	120.7	120.9	121.0

Data is based on stations configured with status monitoring transponder. AC currents specified are based on measurements made with typical CATV type ferro-resonant AC power supply (quasi-square wave).

DC supply has a fixed under-voltage lockout of 33 V AC.

Environmental	Units	
Operating Temperature Range	degrees	-40°F to 140°F (-40°C to 60°C)
Relative Humidity Range	percent	5% to 95%
Mechanical		
Housing Dimensions	Weight	
21.3 in. L x 11.6 in. H x 11.1 in. D (541 mm x 295 mm x 282 mm)	Station with 4 RX, 4 TX, 2 power supplies: 50.0 lbs. (22.7 kg)	

Unless otherwise noted, specifications reflect typical performance and are referenced to 68°F (20°C). Specifications are based upon measurements made in accordance with SCTE/ANSI standards (where applicable), using standard frequency assignments.

Ordering Information

The GS7000 Node is available in a wide variety of configurations. The GS7000 Ordering Matrix provides ordering information for configured node stations. This page contains ordering information for required and optional accessories. Please consult with your Account Representative, Customer Service Representative, or Applications Engineer to determine the best configuration for your particular application.

Required Accessories	Part Number
Plug-in Pads (attenuators) – Available in 0.5 dB steps from 0 to 20 dB <ul style="list-style-type: none"> • 1 required for each Optical Receiver Module installed in the node (for Optical Interface Board) • 1 required for each Optical Transmitter Module installed in the node (for Optical Interface Board) • 1 required for each Reverse input path activated (for Launch Amplifier) 	589693 (0 dB) sequentially thru 589734 (20.5dB)
Optional Accessories	
Plug-in Forward Linear Equalizers – Available in 1.5 dB steps from 0 to 21 dB. <ul style="list-style-type: none"> • Node shipped with 15 dB Linear Equalizers (4)* installed for 14.5dB of tilt to 1002 MHz (*4008787) 	4007228 (0 dB) see table below
Plug-in Signal Directors – 2 required Node shipped with Jumpers installed to activate 4 RF output ports <ul style="list-style-type: none"> • Optional 2-Way Splitters are required to activate 5 or 6 RF output ports 	4011907 4011908

Note: Configured nodes ship without reverse input pads and any of the pads on the OIB. All other standard accessories are shipped from the factory. Forward Launch Amp attenuator pads, (4) 15 dB linear Eqs, and (2) signal director jumpers are shipped with every configured node.

	Part Number on Module	Part Number for Ordering
GS7000 Forward Launch Amplifiers		
Node Launch Amplifier, 4-way forward segmentation, 42/54 MHz split	4019267	4019263
GS7000 Forward Configuration Modules		
Forward Configuration Module, 1x4	4019273	4019283
Forward Configuration Module, 1x4 Redundant	4019275	4019284
Forward Configuration Module, 1x4, Forward RF Injection, Redundant	4022272	4022270
Forward Configuration Module, 2x4	4019277	4019285
Forward Configuration Module, 2x4 Redundant	4019279	4019286
Forward Configuration Module, 3x4, RX 1,3,4	4024784	4024783
Forward Configuration Module, 3x4, RX 1,2,4	4024786	4024785
Forward Configuration Module, 4x4	4019281	4019287
Forward Linear Equalizers		
0 dB 1GHz Forward Linear EQ	-	4007228
1.5 dB 1GHz Forward Linear EQ	-	4008778
3.0 dB 1GHz Forward Linear EQ	-	4008779
4.5 dB 1GHz Forward Linear EQ	-	4008780
6.0 dB 1GHz Forward Linear EQ	-	4008781
7.5 dB 1GHz Forward Linear EQ	-	4008782
9.0 dB 1GHz Forward Linear EQ	-	4008783
10.5 dB 1GHz Forward Linear EQ	-	4008784
12.0 dB 1GHz Forward Linear EQ	-	4008785
13.5 dB 1GHz Forward Linear EQ	-	4008786
15.0 dB 1GHz Forward Linear EQ	-	4008787
16.5 dB 1GHz Forward Linear EQ	-	4019258
18.0 dB 1GHz Forward Linear EQ	-	4019259
19.5 dB 1GHz Forward Linear EQ	-	4019260
21.0 dB 1GHz Forward Linear EQ	-	4019261
GS7000 Node Signal Directors		
Node Signal Director Jumper	4009369	4011907
Node Signal Director Splitter	4009371	4011908
GS7000 Forward Low Current Optical Receivers		
Optical Receiver, SCA connector	4022468	4013593
Optical Receiver, SCU connector	4022469	4013594
Optical Receiver, FCA connector	4022470	4013595
GS7000 Forward Local Injection Module Kit (does not include FCM)		
Forward Local Injection Module	-	4013575

Ordering Information, continued

GS7000 Reverse Amplifiers	Part Number on Module	Part Number for Ordering
Reverse Amplifier, 5-42 MHz	4009783	4011912
GS7000 Reverse Configuration Modules		
Reverse Configuration Module, 4x1, Aux Reverse RF Injection	4014282	4011918
Reverse Configuration Module, 4x1, Redundant	4009066	4011919
Reverse Configuration Module, 4x2, Aux Reverse RF Injection <i>(for use with 6-position OIB)</i>	4014285	4011920
Reverse Configuration Module, 4x2, Aux Reverse RF Injection <i>(for use with 8-position OIB)</i>	4014286	4014300
Reverse Configuration Module, 4x2, Redundant	4009076	4011921
Reverse Configuration Module, 4x3, TX 1,3,4	4024788	4024787
Reverse Configuration Module, 4x3, TX 1,2,4	4024791	4024790
Reverse Configuration Module, 4x4, Aux Reverse RF Injection	4014289	4011922
GS7000 1310 nm Reverse Optical Transmitters		
3 dBm, DFB, High Gain, Analog, SC/APC	4013900.1310	4011952
3 dBm, DFB, High Gain, Analog, SC/UPC	4013901.1310	4011953
3 dBm, DFB, High Gain, Analog, FC/APC	4013902.1310	4011954
2 dBm, FP, High Gain, Analog, SC/APC	4011964	4011958
2 dBm, FP, High Gain, Analog, SC/UPC	4012069	4011959
2 dBm, FP, High Gain, Analog, FC/APC	4012070	4011960

GS7000 CWDM Reverse Optical Transmitters	Part Number on Module	Part Number for Ordering
3 dBm, CWDM High Gain, 1470 nm, Analog, SC/APC	4013900.1470	4011955
3 dBm, CWDM High Gain, 1490 nm, Analog, SC/APC	4013900.1490	4011956
3 dBm, CWDM High Gain, 1510 nm, Analog, SC/APC	4013900.1510	4011957
3 dBm, CWDM High Gain, 1530 nm, Analog, SC/APC	4013900.1530	4011961
3 dBm, CWDM High Gain, 1550 nm, Analog, SC/APC	4013900.1550	4011965
3 dBm, CWDM High Gain, 1570 nm, Analog, SC/APC	4013900.1570	4011966
3 dBm, CWDM High Gain, 1590 nm, Analog, SC/APC	4013900.1590	4011967
3 dBm, CWDM High Gain, 1610 nm, Analog, SC/APC	4013900.1610	4011968
3 dBm, CWDM High Gain, 1470 nm, Analog, SC/UPC	4013901.1470	4011969
3 dBm, CWDM High Gain, 1490 nm, Analog, SC/UPC	4013901.1490	4011970
3 dBm, CWDM High Gain, 1510 nm, Analog, SC/UPC	4013901.1510	4011974
3 dBm, CWDM High Gain, 1530 nm, Analog, SC/UPC	4013901.1530	4011975
3 dBm, CWDM High Gain, 1550 nm, Analog, SC/UPC	4013901.1550	4011976
3 dBm, CWDM High Gain, 1570 nm, Analog, SC/UPC	4013901.1570	4011977
3 dBm, CWDM High Gain, 1590 nm, Analog, SC/UPC	4013901.1590	4013218
3 dBm, CWDM High Gain, 1610 nm, Analog, SC/UPC	4013901.1610	4013299
3 dBm, CWDM High Gain, 1470 nm, Analog, FC/APC	4013902.1470	4013542
3 dBm, CWDM High Gain, 1490 nm, Analog, FC/APC	4013902.1490	4013543
3 dBm, CWDM High Gain, 1510 nm, Analog, FC/APC	4013902.1510	4013544
3 dBm, CWDM High Gain, 1530 nm, Analog, FC/APC	4013902.1530	4013545
3 dBm, CWDM High Gain, 1550 nm, Analog, FC/APC	4013902.1550	4013546
3 dBm, CWDM High Gain, 1570 nm, Analog, FC/APC	4013902.1570	4013547
3 dBm, CWDM High Gain, 1590 nm, Analog, FC/APC	4013902.1590	4013548
3 dBm, CWDM High Gain, 1610 nm, Analog, FC/APC	4013902.1610	4013549

Ordering Information, continued

GS7000 DWDM Reverse Optical Transmitters	Part Number on Module	Part Number for Ordering
7 dBm, DWDM, ITU Grid, CH. 20, 1561.42 nm, Analog, SC/APC	4022938.20	4022938.20
7 dBm, DWDM, ITU Grid, CH. 21, 1560.61 nm, Analog, SC/APC	4022938.21	4022938.21
7 dBm, DWDM, ITU Grid, CH. 22, 1559.79 nm, Analog, SC/APC	4022938.22	4022938.22
7 dBm, DWDM, ITU Grid, CH. 23, 1558.98 nm, Analog, SC/APC	4022938.23	4022938.23
7 dBm, DWDM, ITU Grid, CH. 24, 1558.17 nm, Analog, SC/APC	4022938.24	4022938.24
7 dBm, DWDM, ITU Grid, CH. 25, 1557.36 nm, Analog, SC/APC	4022938.25	4022938.25
7 dBm, DWDM, ITU Grid, CH. 26, 1556.55 nm, Analog, SC/APC	4022938.26	4022938.26
7 dBm, DWDM, ITU Grid, CH. 27, 1555.75 nm, Analog, SC/APC	4022938.27	4022938.27
7 dBm, DWDM, ITU Grid, CH. 28, 1554.94 nm, Analog, SC/APC	4022938.28	4022938.28
7 dBm, DWDM, ITU Grid, CH. 29, 1554.13 nm, Analog, SC/APC	4022938.29	4022938.29
7 dBm, DWDM, ITU Grid, CH. 30, 1553.33 nm, Analog, SC/APC	4022938.30	4022938.30
7 dBm, DWDM, ITU Grid, CH. 31, 1552.52 nm, Analog, SC/APC	4022938.31	4022938.31
7 dBm, DWDM, ITU Grid, CH. 32, 1551.72 nm, Analog, SC/APC	4022938.32	4022938.32
7 dBm, DWDM, ITU Grid, CH. 33, 1550.92 nm, Analog, SC/APC	4022938.33	4022938.33
7 dBm, DWDM, ITU Grid, CH. 34, 1550.12 nm, Analog, SC/APC	4022938.34	4022938.34
7 dBm, DWDM, ITU Grid, CH. 35, 1549.32 nm, Analog, SC/APC	4022938.35	4022938.35
7 dBm, DWDM, ITU Grid, CH. 36, 1548.51 nm, Analog, SC/APC	4022938.36	4022938.36
7 dBm, DWDM, ITU Grid, CH. 37, 1547.72 nm, Analog, SC/APC	4022938.37	4022938.37
7 dBm, DWDM, ITU Grid, CH. 38, 1546.92 nm, Analog, SC/APC	4022938.38	4022938.38
7 dBm, DWDM, ITU Grid, CH. 39, 1546.12 nm, Analog, SC/APC	4022938.39	4022938.39
7 dBm, DWDM, ITU Grid, CH. 40, 1545.32 nm, Analog, SC/APC	4022938.40	4022938.40
7 dBm, DWDM, ITU Grid, CH. 41, 1544.53 nm, Analog, SC/APC	4022938.41	4022938.41
7 dBm, DWDM, ITU Grid, CH. 42, 1543.73 nm, Analog, SC/APC	4022938.42	4022938.42
7 dBm, DWDM, ITU Grid, CH. 43, 1542.94 nm, Analog, SC/APC	4022938.43	4022938.43
7 dBm, DWDM, ITU Grid, CH. 44, 1542.14 nm, Analog, SC/APC	4022938.44	4022938.44
7 dBm, DWDM, ITU Grid, CH. 45, 1541.35 nm, Analog, SC/APC	4022938.45	4022938.45
7 dBm, DWDM, ITU Grid, CH. 46, 1540.56 nm, Analog, SC/APC	4022938.46	4022938.46
7 dBm, DWDM, ITU Grid, CH. 47, 1539.77 nm, Analog, SC/APC	4022938.47	4022938.47
7 dBm, DWDM, ITU Grid, CH. 48, 1538.98 nm, Analog, SC/APC	4022938.48	4022938.48
7 dBm, DWDM, ITU Grid, CH. 49, 1538.19 nm, Analog, SC/APC	4022938.49	4022938.49
7 dBm, DWDM, ITU Grid, CH. 50, 1537.40 nm, Analog, SC/APC	4022938.50	4022938.50
7 dBm, DWDM, ITU Grid, CH. 51, 1536.61 nm, Analog, SC/APC	4022938.51	4022938.51
7 dBm, DWDM, ITU Grid, CH. 52, 1535.82 nm, Analog, SC/APC	4022938.52	4022938.52
7 dBm, DWDM, ITU Grid, CH. 53, 1535.04 nm, Analog, SC/APC	4022938.53	4022938.53
7 dBm, DWDM, ITU Grid, CH. 54, 1534.25 nm, Analog, SC/APC	4022938.54	4022938.54
7 dBm, DWDM, ITU Grid, CH. 55, 1533.47 nm, Analog, SC/APC	4022938.55	4022938.55
7 dBm, DWDM, ITU Grid, CH. 56, 1532.68 nm, Analog, SC/APC	4022938.56	4022938.56
7 dBm, DWDM, ITU Grid, CH. 57, 1531.90 nm, Analog, SC/APC	4022938.57	4022938.57
7 dBm, DWDM, ITU Grid, CH. 58, 1531.12 nm, Analog, SC/APC	4022938.58	4022938.58
7 dBm, DWDM, ITU Grid, CH. 59, 1530.33 nm, Analog, SC/APC	4022938.59	4022938.59

Ordering Information, continued

DWDM bdr Integrated Reverse Optical Transmitters <i>(used standalone)</i>	Part Number on Module	Part Number for Ordering
bdr 2:1 Integrated Tx, ITU Grid, CH. 19, 1562.23 nm, SC/APC	4018950.19	4018949.19
bdr 2:1 Integrated Tx, ITU Grid, CH. 20, 1561.42 nm, SC/APC	4018950.20	4018949.20
bdr 2:1 Integrated Tx, ITU Grid, CH. 21, 1560.61 nm, SC/APC	4018950.21	4018949.21
bdr 2:1 Integrated Tx, ITU Grid, CH. 22, 1560.61 nm, SC/APC	4018950.22	4018949.22
bdr 2:1 Integrated Tx, ITU Grid, CH. 23, 1558.98 nm, SC/APC	4018950.23	4018949.23
bdr 2:1 Integrated Tx, ITU Grid, CH. 24, 1558.17 nm, SC/APC	4018950.24	4018949.24
bdr 2:1 Integrated Tx, ITU Grid, CH. 25, 1557.36 nm, SC/APC	4018950.25	4018949.25
bdr 2:1 Integrated Tx, ITU Grid, CH. 26, 1556.55 nm, SC/APC	4018950.26	4018949.26
bdr 2:1 Integrated Tx, ITU Grid, CH. 27, 1555.75 nm, SC/APC	4018950.27	4018949.27
bdr 2:1 Integrated Tx, ITU Grid, CH. 28, 1559.94 nm, SC/APC	4018950.28	4018949.28
bdr 2:1 Integrated Tx, ITU Grid, CH. 29, 1554.13 nm, SC/APC	4018950.29	4018949.29
bdr 2:1 Integrated Tx, ITU Grid, CH. 30, 1553.33 nm, SC/APC	4018950.30	4018949.30
bdr 2:1 Integrated Tx, ITU Grid, CH. 31, 1552.52 nm, SC/APC	4018950.31	4018949.31
bdr 2:1 Integrated Tx, ITU Grid, CH. 32, 1551.72 nm, SC/APC	4018950.32	4018949.32
bdr 2:1 Integrated Tx, ITU Grid, CH. 33, 1550.92 nm, SC/APC	4018950.33	4018949.33
bdr 2:1 Integrated Tx, ITU Grid, CH. 34, 1550.12 nm, SC/APC	4018950.21	4018949.34
bdr 2:1 Integrated Tx, ITU Grid, CH. 35, 1549.32 nm, SC/APC	4018950.35	4018949.35
bdr 2:1 Integrated Tx, ITU Grid, CH. 36, 1548.51 nm, SC/APC	4018950.36	4018949.36
bdr 2:1 Integrated Tx, ITU Grid, CH. 37, 1547.72 nm, SC/APC	4018950.37	4018949.37
bdr 2:1 Integrated Tx, ITU Grid, CH. 38, 1546.92 nm, SC/APC	4018950.38	4018949.38
bdr 2:1 Integrated Tx, ITU Grid, CH. 39, 1546.12 nm, SC/APC	4018950.39	4018949.39
bdr 2:1 Integrated Tx, ITU Grid, CH. 40, 1545.32 nm, SC/APC	4018950.40	4018949.40
bdr 2:1 Integrated Tx, ITU Grid, CH. 41, 1544.53 nm, SC/APC	4018950.41	4018949.41
bdr 2:1 Integrated Tx, ITU Grid, CH. 42, 1543.73 nm, SC/APC	4018950.42	4018949.42
bdr 2:1 Integrated Tx, ITU Grid, CH. 43, 1542.94 nm, SC/APC	4018950.43	4018949.43
bdr 2:1 Integrated Tx, ITU Grid, CH. 44, 1542.14 nm, SC/APC	4018950.44	4018949.44
bdr 2:1 Integrated Tx, ITU Grid, CH. 45, 1541.35 nm, SC/APC	4018950.45	4018949.45
bdr 2:1 Integrated Tx, ITU Grid, CH. 46, 1540.56 nm, SC/APC	4018950.46	4018949.46
bdr 2:1 Integrated Tx, ITU Grid, CH. 47, 1539.77 nm, SC/APC	4018950.47	4018949.47
bdr 2:1 Integrated Tx, ITU Grid, CH. 48, 1538.98 nm, SC/APC	4018950.48	4018949.48
bdr 2:1 Integrated Tx, ITU Grid, CH. 49, 1538.19 nm, SC/APC	4018950.49	4018949.49
bdr 2:1 Integrated Tx, ITU Grid, CH. 50, 1537.40 nm, SC/APC	4018950.50	4018949.50
bdr 2:1 Integrated Tx, ITU Grid, CH. 51, 1536.61 nm, SC/APC	4018950.51	4018949.51
bdr 2:1 Integrated Tx, ITU Grid, CH. 52, 1535.82 nm, SC/APC	4018950.52	4018949.52
bdr 2:1 Integrated Tx, ITU Grid, CH. 53, 1535.04 nm, SC/APC	4018950.53	4018949.53
bdr 2:1 Integrated Tx, ITU Grid, CH. 54, 1534.25 nm, SC/APC	4018950.54	4018949.54
bdr 2:1 Integrated Tx, ITU Grid, CH. 55, 1533.47 nm, SC/APC	4018950.55	4018949.55
bdr 2:1 Integrated Tx, ITU Grid, CH. 56, 1532.68 nm, SC/APC	4018950.56	4018949.56
bdr 2:1 Integrated Tx, ITU Grid, CH. 57, 1531.90 nm, SC/APC	4018950.57	4018949.57
bdr 2:1 Integrated Tx, ITU Grid, CH. 58, 1531.12 nm, SC/APC	4018950.58	4018949.58
bdr 2:1 Integrated Tx, ITU Grid, CH. 59, 1530.33 nm, SC/APC	4018950.59	4018949.59
1310 bdr Integrated Reverse Optical Transmitters <i>(used standalone)</i>		
bdr 2:1 Integrated Tx, 1310 nm, DFB, SC/APC	4018950.1310	4018949.1310
CWDM bdr Integrated Reverse Optical Transmitters <i>(used standalone)</i>		
bdr 2:1 Integrated Tx, ITU Grid, 1470 nm, SC/APC	4018950.1470	4018949.1470
bdr 2:1 Integrated Tx, ITU Grid, 1490 nm, SC/APC	4018950.1490	4018949.1490
bdr 2:1 Integrated Tx, ITU Grid, 1510 nm, SC/APC	4018950.1510	4018949.1510
bdr 2:1 Integrated Tx, ITU Grid, 1530 nm, SC/APC	4018950.1530	4018949.1530
bdr 2:1 Integrated Tx, ITU Grid, 1550 nm, SC/APC	4018950.1550	4018949.1550
bdr 2:1 Integrated Tx, ITU Grid, 1570 nm, SC/APC	4018950.1570	4018949.1570
bdr 2:1 Integrated Tx, ITU Grid, 1590 nm, SC/APC	4018950.1590	4018949.1590
bdr 2:1 Integrated Tx, ITU Grid, 1610 nm, SC/APC	4018950.1610	4018949.1610

bdr Digital Processor Modules <i>(must be used with Digital Laser Module)</i>	Part Number on Module	Part Number for Ordering
bdr 4:1 Digital Processor Module for GS7000 Node (5-40 MHz)	748693	4013562
bdr 4:1 Digital Processor Module for GS7000 Node (7-42 MHz)	751163	4013563
bdr Digital Laser Modules <i>(must be used with Digital Processor Module)</i>		
0 dBm, Digital Laser Module, 1310 nm, DFB, SC/APC	4011942	4011905
0 dBm, Digital Laser Module, 1310 nm, DFB, SC/UPC	4011943	4011906
0 dBm, Digital Laser Module, 1310 nm, DFB, FC/APC	4011944	4011909
0 dBm, Digital Laser Module, 1550 nm, DFB, SC/APC	4011946	4011971
0 dBm, Digital Laser Module, 1550 nm, DFB, SC/UPC	4011947	4011972
0 dBm, Digital Laser Module, 1550 nm, DFB, FC/APC	4011948	4011973

Ordering Information, continued

DWDM bdr Digital Laser Modules <i>(must be used with Digital Processor Module)</i>	Part Number on Module	Part Number for Ordering
7 dBm, ITU Grid, CH. 12, 1567.95 nm, Digital, SC/APC	4013586.12	4013560.12
7 dBm, ITU Grid, CH. 13, 1567.13 nm, Digital, SC/APC	4013586.13	4013560.13
7 dBm, ITU Grid, CH. 14, 1566.31 nm, Digital, SC/APC	4013586.14	4013560.14
7 dBm, ITU Grid, CH. 15, 1565.50 nm, Digital, SC/APC	4013586.15	4013560.15
7 dBm, ITU Grid, CH. 16, 1564.68 nm, Digital, SC/APC	4013586.16	4013560.16
7 dBm, ITU Grid, CH. 17, 1563.86 nm, Digital, SC/APC	4013586.17	4013560.17
7 dBm, ITU Grid, CH. 18, 1563.05 nm, Digital, SC/APC	4013586.18	4013560.18
7 dBm, ITU Grid, CH. 19, 1562.23 nm, Digital, SC/APC	4013586.19	4013560.19
7 dBm, ITU Grid, CH. 20, 1561.42 nm, Digital, SC/APC	4013586.20	4013560.20
7 dBm, ITU Grid, CH. 21, 1560.61 nm, Digital, SC/APC	4013586.21	4013560.21
7 dBm, ITU Grid, CH. 22, 1559.79 nm, Digital, SC/APC	4013586.22	4013560.22
7 dBm, ITU Grid, CH. 23, 1558.98 nm, Digital, SC/APC	4013586.23	4013560.23
7 dBm, ITU Grid, CH. 24, 1558.17 nm, Digital, SC/APC	4013586.24	4013560.24
7 dBm, ITU Grid, CH. 25, 1557.36 nm, Digital, SC/APC	4013586.25	4013560.25
7 dBm, ITU Grid, CH. 26, 1556.56 nm, Digital, SC/APC	4013586.26	4013560.26
7 dBm, ITU Grid, CH. 27, 1555.75 nm, Digital, SC/APC	4013586.27	4013560.27
7 dBm, ITU Grid, CH. 28, 1554.94 nm, Digital, SC/APC	4013586.28	4013560.28
7 dBm, ITU Grid, CH. 29, 1554.13 nm, Digital, SC/APC	4013586.29	4013560.29
7 dBm, ITU Grid, CH. 30, 1553.33 nm, Digital, SC/APC	4013586.30	4013560.30
7 dBm, ITU Grid, CH. 31, 1552.52 nm, Digital, SC/APC	4013586.31	4013560.31
7 dBm, ITU Grid, CH. 32, 1551.72 nm, Digital, SC/APC	4013586.32	4013560.32
7 dBm, ITU Grid, CH. 33, 1550.92 nm, Digital, SC/APC	4013586.33	4013560.33
7 dBm, ITU Grid, CH. 34, 1550.12 nm, Digital, SC/APC	4013586.34	4013560.34
7 dBm, ITU Grid, CH. 35, 1549.32 nm, Digital, SC/APC	4013586.35	4013560.35
7 dBm, ITU Grid, CH. 36, 1548.52 nm, Digital, SC/APC	4013586.36	4013560.36
7 dBm, ITU Grid, CH. 37, 1547.72 nm, Digital, SC/APC	4013586.37	4013560.37
7 dBm, ITU Grid, CH. 38, 1546.92 nm, Digital, SC/APC	4013586.38	4013560.38
7 dBm, ITU Grid, CH. 39, 1546.12 nm, Digital, SC/APC	4013586.39	4013560.39
7 dBm, ITU Grid, CH. 40, 1545.32 nm, Digital, SC/APC	4013586.40	4013560.40
7 dBm, ITU Grid, CH. 41, 1544.53 nm, Digital, SC/APC	4013586.41	4013560.41
7 dBm, ITU Grid, CH. 42, 1543.73 nm, Digital, SC/APC	4013586.42	4013560.42
7 dBm, ITU Grid, CH. 43, 1542.94 nm, Digital, SC/APC	4013586.43	4013560.43
7 dBm, ITU Grid, CH. 44, 1542.14 nm, Digital, SC/APC	4013586.44	4013560.44
7 dBm, ITU Grid, CH. 45, 1541.35 nm, Digital, SC/APC	4013586.45	4013560.45
7 dBm, ITU Grid, CH. 46, 1540.56 nm, Digital, SC/APC	4013586.46	4013560.46
7 dBm, ITU Grid, CH. 47, 1539.77 nm, Digital, SC/APC	4013586.47	4013560.47
7 dBm, ITU Grid, CH. 48, 1538.98 nm, Digital, SC/APC	4013586.48	4013560.48
7 dBm, ITU Grid, CH. 49, 1538.19 nm, Digital, SC/APC	4013586.49	4013560.49
7 dBm, ITU Grid, CH. 50, 1537.40 nm, Digital, SC/APC	4013586.50	4013560.50
7 dBm, ITU Grid, CH. 51, 1536.61 nm, Digital, SC/APC	4013586.51	4013560.51
7 dBm, ITU Grid, CH. 52, 1535.82 nm, Digital, SC/APC	4013586.52	4013560.52
7 dBm, ITU Grid, CH. 53, 1535.04 nm, Digital, SC/APC	4013586.53	4013560.53
7 dBm, ITU Grid, CH. 54, 1534.25 nm, Digital, SC/APC	4013586.54	4013560.54
7 dBm, ITU Grid, CH. 55, 1533.47 nm, Digital, SC/APC	4013586.55	4013560.55
7 dBm, ITU Grid, CH. 56, 1532.68 nm, Digital, SC/APC	4013586.56	4013560.56
7 dBm, ITU Grid, CH. 57, 1531.90 nm, Digital, SC/APC	4013586.57	4013560.57
7 dBm, ITU Grid, CH. 58, 1531.12 nm, Digital, SC/APC	4013586.58	4013560.58
7 dBm, ITU Grid, CH. 59, 1530.33 nm, Digital, SC/APC	4013586.59	4013560.59

Ordering Information, continued

Optical Interface Board	Part Number on Module	Part Number for Ordering
8-position, Optical Interface Board, 4Rx / 4Tx	4023056	4011927
6-position, Optical Interface Board, 4Rx / 2Tx / bdr	4012887	4011928
Power Supply		
Node Power Supply	4009226	4011930
Local Control Modules & Status Monitoring Modules (with USB interface)		
Local Control Module (LCM)	4027113	4027114
Status Monitoring Module - HMS (Local Control Module with Transponder)	4025872	4025871
Status Monitoring Module - DOCSIS	-	4036793
Test Point Cable Kit		
Test Point Cable Kit, (includes the 6 cables required to enable GS7000 housing external test points)	4016084	4013568
Optical Fiber Tray Kit		
Standard Fiber Tray	-	4042908
Expanded Fiber Tray (additional fiber handling/routing capacity), without brackets, SCA	-	4057377
Expanded Fiber Tray (additional fiber handling/routing capacity), with brackets, SCA	-	4026885
Expanded Fiber Tray (additional fiber handling/routing capacity), with brackets, SCU	-	4028274
Expanded Fiber Tray Brackets Only	-	4027000
Housings		
GS7000 Node Housing, empty	-	4009045
GS7000 Node Housing, Expanded Tray, SCA	-	4027378
GS7000 Node Housing, Expanded Tray, SCU	-	4028275
GS7000 Node Housing, Standard Tray	-	4012095
Optical Fiber Tray Kit		
Standard Fiber Tray	-	4027376
Expanded Fiber Tray (additional fiber handling/routing capacity) - includes brackets for passives and 4 SC APC bulkheads	-	4026885
Expanded Fiber Tray (additional fiber handling/routing capacity) - includes brackets for passives and 4 SC UPC bulkheads	-	4028274
Brackets for passives used in Expanded Fiber Tray	-	4027000
SC APC bulkheads, package of 10	-	4027740
SC UPC bulkheads, package of 10	-	4027741
Optical Amplifiers and Switch		
17 dBm Broadcast Amplifier	-	4027007
20 dBm Broadcast Amplifier	-	4027008
22 dBm Broadcast Amplifier	-	4027009
17 dBm Narrowcast Gain Flattened Amplifier - Low Gain	-	4027010
17 dBm Narrowcast Gain Flattened Amplifier - High Gain	-	4027011
20 dBm Narrowcast Gain Flattened Amplifier - Low Gain	-	4027012
20 dBm Narrowcast Gain Flattened Amplifier - High Gain	-	4027013
Optical Switch	-	4027014



Manage your network with ROSA and TNCS open standards element management. Get faster mean-time-to-repair, increased uptime, and management that evolves as you provision your networks. US toll-free 1-800-722-2009. EMEA +32 56 445 445. www.scientificatlanta.com/ROSA



Cisco and the Cisco logo are trademarks or registered trademarks of Cisco and/or its affiliates in the U.S. and other countries. A listing of Cisco's trademarks can be found at www.cisco.com/trademarks.

Third party trademarks mentioned are the property of their respective owners.

The use of the word partner does not imply a partnership relationship between Cisco and any other company. (1009R)

Product and service availability are subject to change without notice.

© 2010, 2012 Cisco and/or its affiliates. All rights reserved.

Cisco Systems, Inc.
1 800 722-2009 or 678 277-1120
www.cisco.com

Part Number 7013906 Rev D
June 2012