



Cisco Compact Micro Amplifier A93262 Mounting Instructions (100-240 VAC)

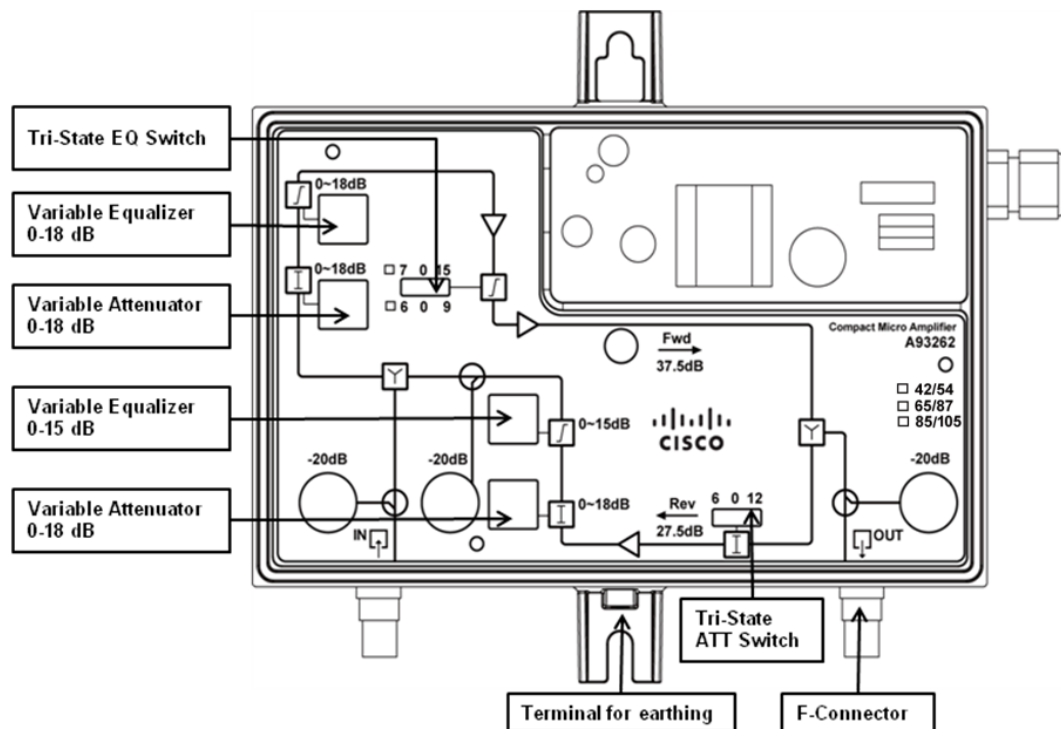
Introduction

This document provides instructions for mounting the Cisco Compact Micro Amplifier A93262.

For complete information on Safety Instructions, Installation and Operation of the amplifier, refer to the **Cisco Compact Micro Amplifier Installation and Operation Guide**, part number 4039536.

Application

The following diagram shows the accessible components for configuring the amplifier. Refer to the I&O Guide listed above for details.



Mounting

CAUTION:

Be aware of the size and weight of the amplifier when mounting. Ensure that the mounting location has a stable flat surface, and can safely support the amplifier's maximum weight. Please use the appropriate type of screws and screwdrivers, depending on the mounting method.

Mounting Material: The amplifier's housing with its compact dimensions is designed for wall/cabinet mounting. It is mounted vertically and cables are routed through the bottom of the housing to allow natural ventilation and to secure the best possible operation conditions. The amplifier can be mounted on the wall of concrete, brick, wood, metal, etc., or in the cabinet.

Cisco Compact Micro Amplifier A93262 Mounting Instructions (100-240 VAC)

Mounting Steps:

1. Use two mounting screws to mount the amplifier. The screw size is M5 and the distance between two mounting screws is 141 mm.
2. Tighten the two mounting screws. Make sure the amplifier is fixed steadily.

See the following diagram for instructions:

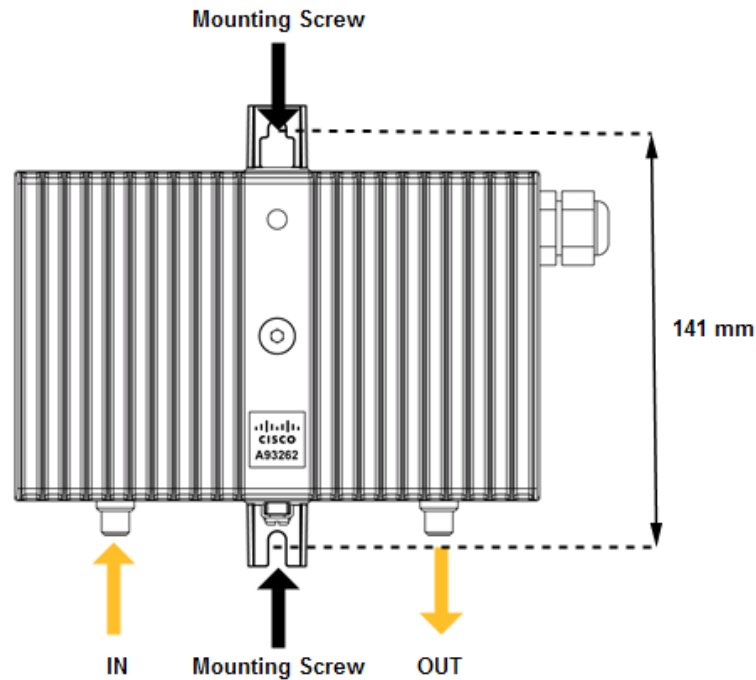


Figure 1: Mounting Instructions

Power Supply

100 - 240 V Mains Supply

The amplifier has factory mounted mains cable and plugs, which according to approval provisions may not be altered. The power unit is double insulated and supplies only a single amplifier. When the LED lights from the light guide in the power unit, the power unit is supplying correct DC voltage.



Cisco Systems, Inc.
5030 Sugarloaf Parkway, Box 465447
Lawrenceville, GA 30042

678 277-1120
800 722-2009
www.cisco.com

Cisco and the Cisco logo are trademarks or registered trademarks of Cisco and/or its affiliates in the U.S. and other countries. A listing of Cisco's trademarks can be found at www.cisco.com/go/trademarks.

Third party trademarks mentioned are the property of their respective owners.

The use of the word partner does not imply a partnership relationship between Cisco and any other company.(1009R)

Product and service availability are subject to change without notice.

© 2010-2012 Cisco and/or its affiliates. All rights reserved.
October 2012

Printed in the People's Republic of China
Part Number 78-4039802-01 Rev C